



Straightaway 130

Sliding & Folding Door Systems



Product Overview

The Straightaway 130 is a quiet and dependable system designed for interior and exterior sliding doors up to 130kg per leaf and is ideally suited for use in residential and commercial applications. The system is effortless to operate and extremely durable, due to its nylon bodied hangers complete with four angled nylon outer wheels and precision bearings all housed in a compact aluminium track.

Features

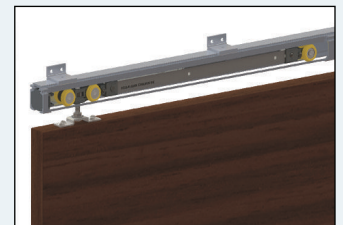
- Tracks can be ceiling mounted or face fixed
- Soft closing mechanism concealed within the track is also available
- Smooth and quiet running
- Synchronized simultaneous opening optional
- No recessed floor tracks required
- Track is self-cleaning due to the angled nylon wheels on the door hanger

Technical Specifications

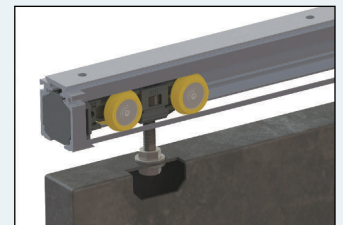
- Maximum door weight: 130kg
- Maximum door height: 3000mm
- Door Thickness: 20 – 50mm
- Track Dimensions: 38mm (w) x 40mm (h)



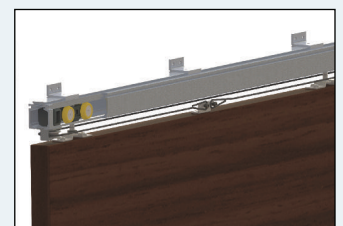
Floor mounted rattle proof guide



Wall fixed track c/w hanger and integrated soft closer for timber door



Soffit fixed track c/w hanger for metal door



Wall fixed track c/w hanger and simultaneous operating kit for timber doors



STRAIGHTAWAY 130

Maximum door weight 130kg

DH - Door height, maximum 3000mm

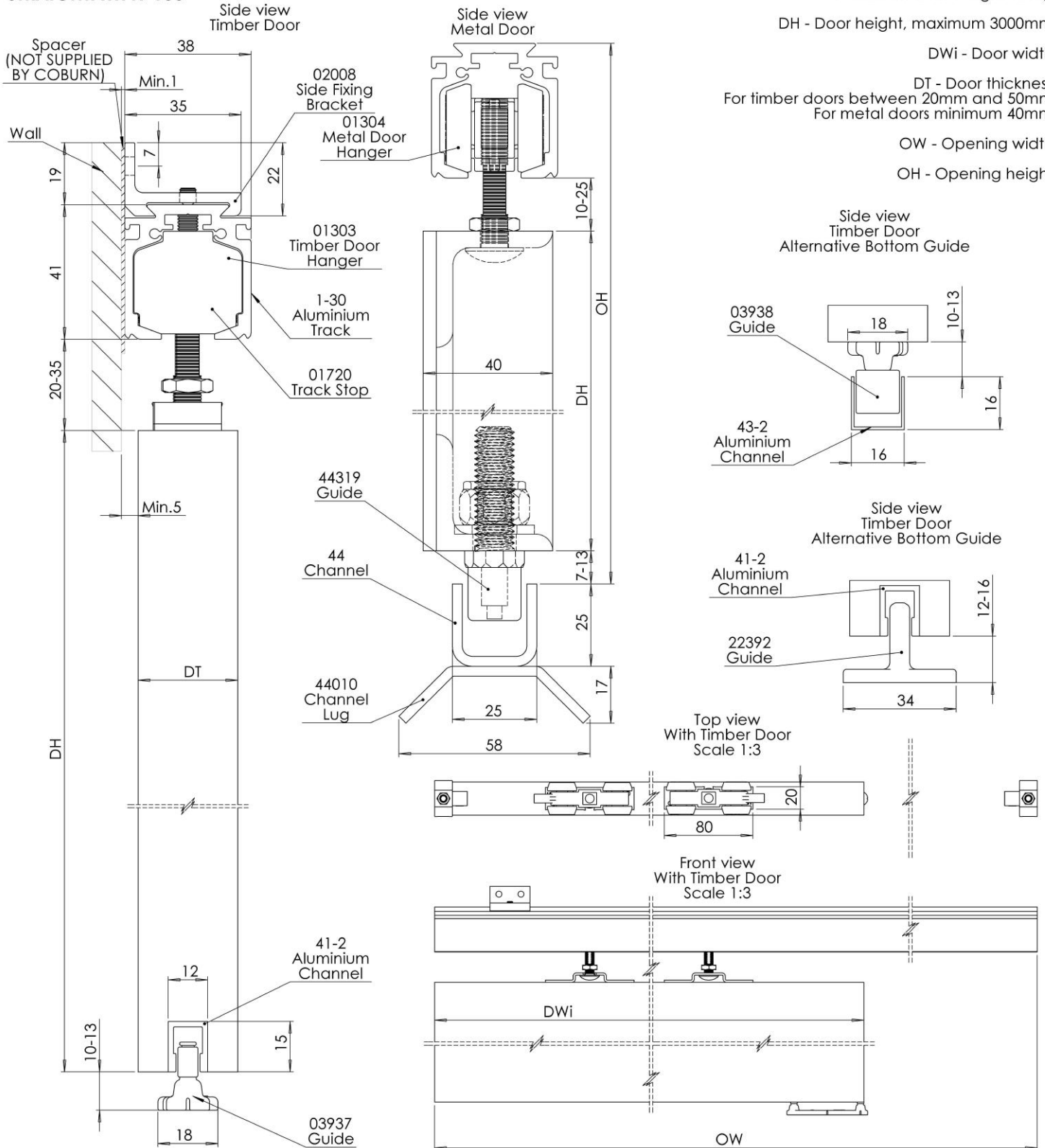
DWi - Door width

DT - Door thickness

For timber doors between 20mm and 50mm

OW - Opening width

OH - Opening height



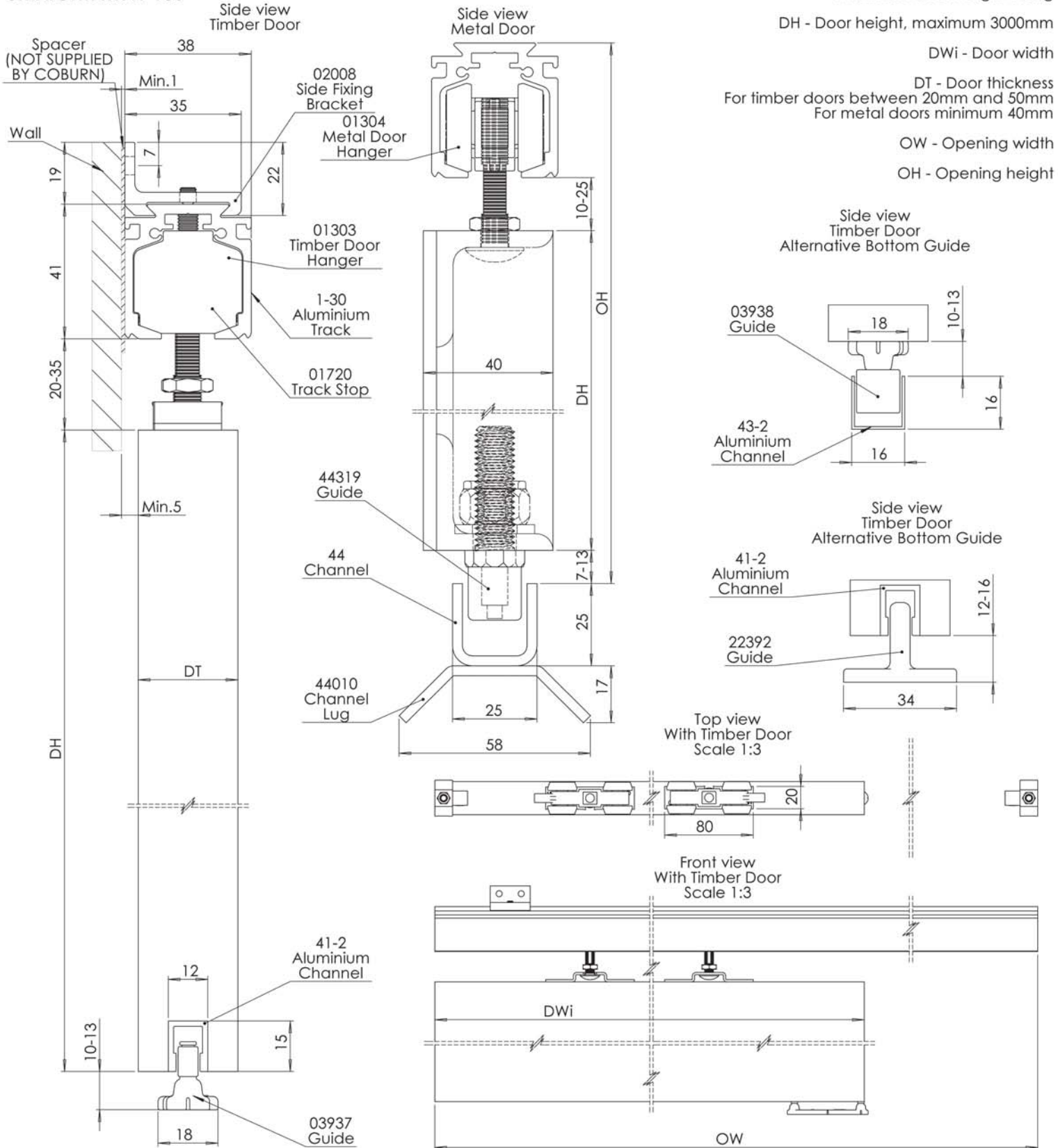
For further information on our products and services:
Tel: +44 (0)20 8545 6680 sales@coburn.co.uk www.coburn.co.uk

7cVi fb 'G' X]b['GnYa g @a]HX
Unit 1, Cardinal West, Cardinal Way, Cardinal Distribution Park,
Godmanchester, Huntingdon, Cambridgeshire, PE29 2XN United Kingdom.

Dealer Stamp

STRAIGHTAWAY 130 FITTING INSTRUCTIONS

STRAIGHTAWAY 130



ACCESSORIES



01303 – HANGER FOR TIMBER DOOR



01304 – HANGER FOR METAL DOOR



61401 – SIMULTANEOUS KIT



30614 – SOFT CLOSER, 130KG, TRACK MOUNTED



01720 – TRACK STOP, PAIR



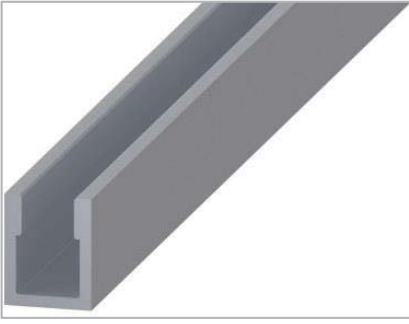
13020/24/30/36/40/60 – ALUMINIUM TRACK



02008 – FACE FIXED BRACKET (5PCS)

02009 – FACE FIXED BRACKET (8PCS)

ACCESSORIES



41224/36/60 – ALUMINIUM CHANNEL



43218/21/24/36 – ALUMINIUM CHANNEL



44218/21/24/30/36/60 – ALUMINIUM CHANNEL



03937 – ADJUSTABLE RATTLE PROOF GUIDE
6mm ROLLER, FOR TIMBER DOORS



03938 – ADJUSTABLE RATTLE PROOF GUIDE
13mm ROLLER, FOR TIMBER DOORS

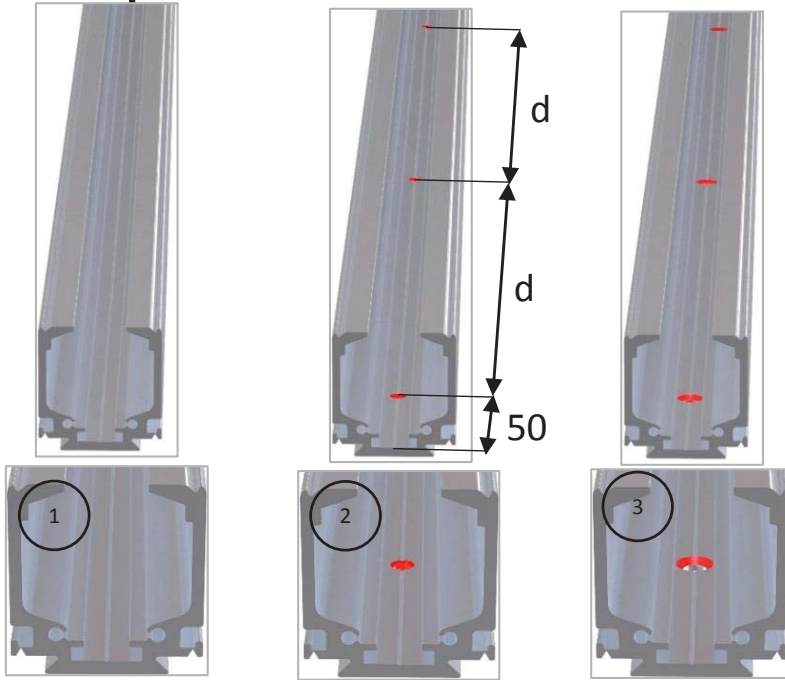


22392 – FLOOR GUIDE, PLASTIC
FOR TIMBER DOORS



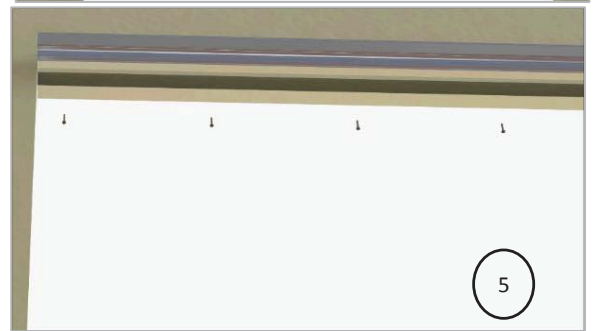
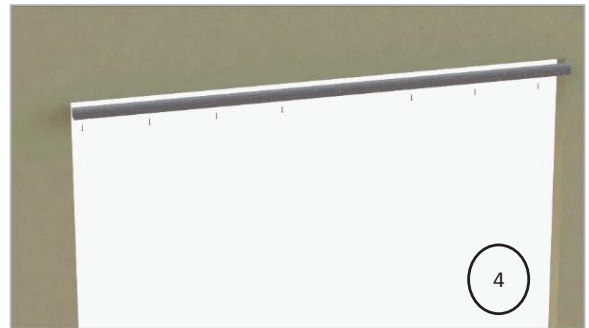
44319 – FLOOR GUIDE, PAIR
FOR METAL DOOR

Step 1 Soffit fixing $d = 275\text{mm} - 350\text{mm}$



2. Pre-drill $\varnothing 5$ holes in track for easier installation.

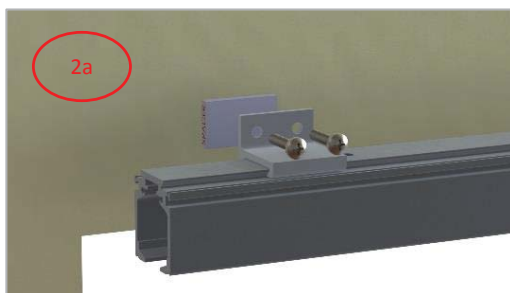
3. We recommend to countersink all holes to eliminate the possibility of hanger bolt or hanger body touching the screw and stopping or interfering with the movement



5. Go underneath the opening

6. Insert the track into place and secure it with screws

Step 2 Side fixing



1. Track preparation

2. Slide brackets on top of track

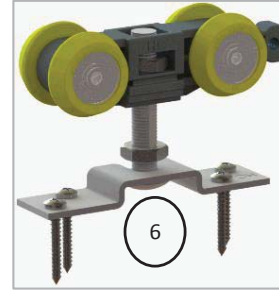
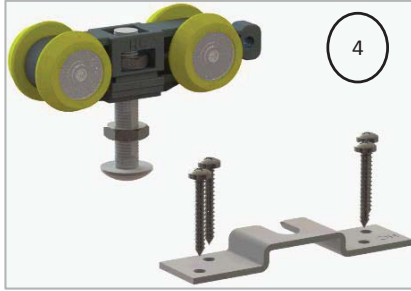
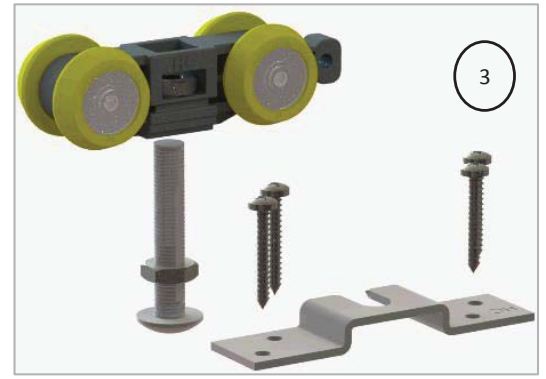
2a. OPTIONAL STEP: Use a spacer (NOT SUPPLIED BY COBURN) between bracket and wall so that 5mm minimum distance between door and wall is maintained

3. Butt brackets onto wall

4. Fix brackets with screws

5. Secure brackets in place with socket screws

Step 3 Identifying 01303 – Hanger for timber doors



1. Prepare hanger for timber doors
2. Insert wide nut into hanger bolt
3. Insert thin nut into hanger body
4. Screw hanger bolt into thin nut

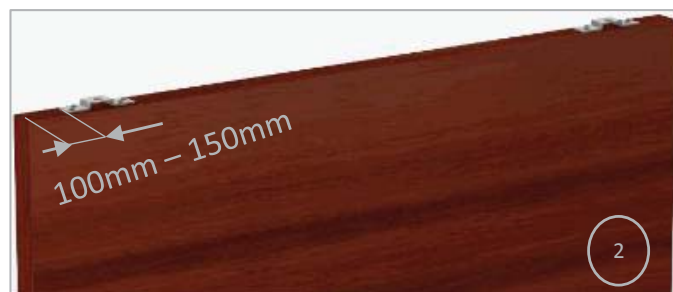
5. Insert screws into plate
6. Slide plate into hanger bolt
7. Secure plate with wide nut

Step 4 Identifying 01304 – Hanger for metal doors



1. Prepare hanger for metal doors
2. Insert thinner nut inside the hanger body
3. Screw wider nut onto hanger bolt
4. Screw hanger bolt into thinner nut

Step 5 Door preparation FOR TIMBER DOORS



1. Fix the door plates at minimum 100mm up to a maximum 150mm from the top edge of the door with screws.
2. Make a routing on the bottom of the door for the bottom channel.
4. Insert the bottom channel into routing and secure it with screws.

NB: For the correct installation of Straightaway 130 sliding door system a bottom guide MUST be used. Please enquire for different options.

I.E. : 22392 – 41-2 bottom channel with a 22392 bottom guide

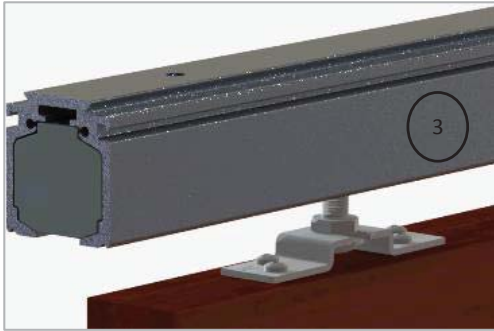
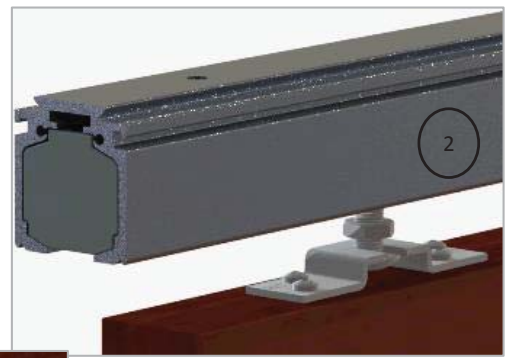
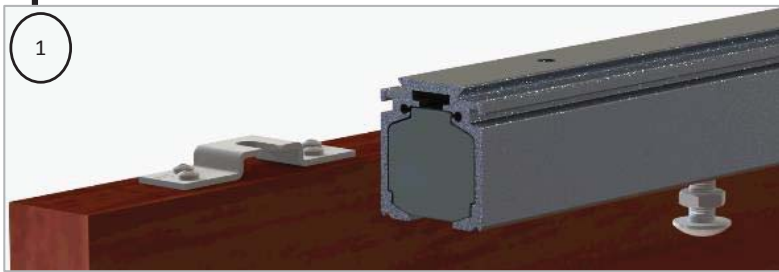
Step 5 Door preparation FOR METAL DOORS



1. Metal door preparation
2. Drill 2 $\varnothing 8.5\text{mm}$ holes for the hanger bolts at minimum 50mm up to a maximum 100mm from the edge of the door
3. Fix a bottom guide

NB: For the correct installation of Straightaway 130 sliding door system a bottom guide MUST be used. Please enquire for different options.

Step 6 Door installation FOR TIMBER DOORS



1. Door installation
2. Insert door plate into hanger bolt
3. Secure the assembly by tightening nut onto plate
4. With the door in fully closed position the guide on the floor
5. Slide the guide halfway in the channel
6. Ensure the door is levelled and fix 2 screws in the 2 holes that are accessible
7. Fully close the door and fix 2 screws in the holes that are accessible

NB: Guide should be halfway inside the channel

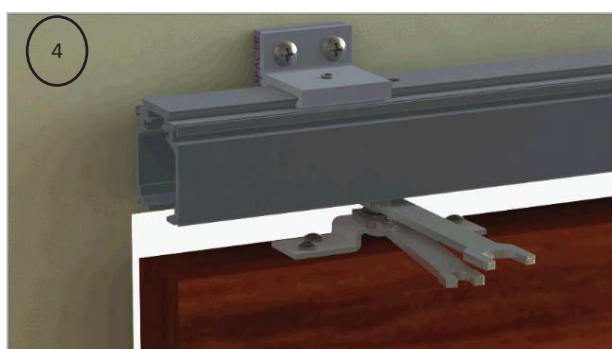
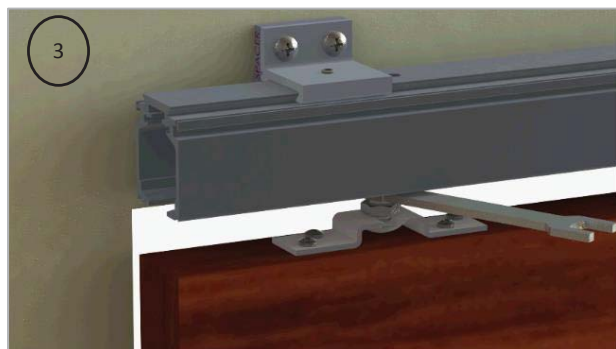
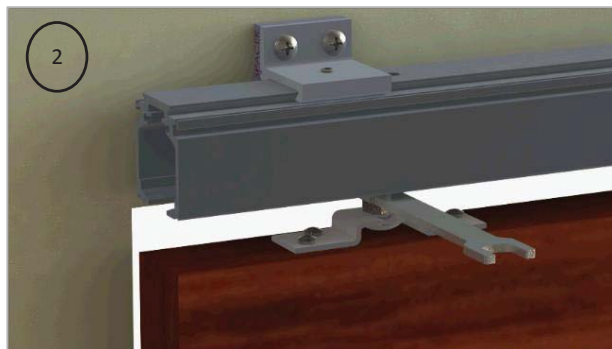
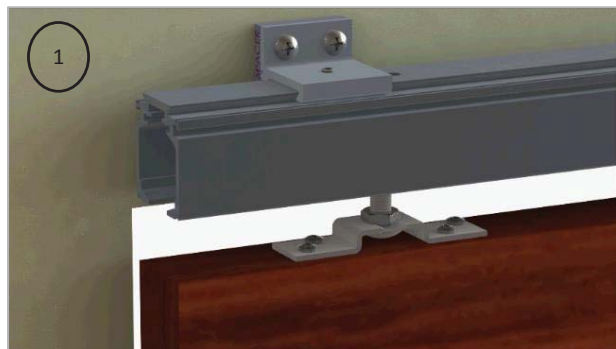
Step 6 Door installation FOR METAL DOORS



1. Door installation
2. Place the door underneath the track
3. Screw hanger bolts into hangers

A2. To secure the hanger bolt in position tighten nuts

Step 7 Door adjustment



2. Loosen the nut to allow movement of the hanger bolt
3. Use a spanner to rotate the hanger bolt, this will raise or lower the door
4. After adjusting and levelling the door secure the hanger bolt by tightening the loosen nut

NB: To make sure that the hanger bolt doesn't move while tightening the nut hold it in position with a spanner

Straightaway 130

Fitting instructions



Coburn Sliding Systems Limited

Unit 1, Cardinal West, Cardinal Way,
Godmanchester, PE29 2XN, United Kingdom

Phone: +44 (0)20 8545 6680

Fax: +44 (0)20 8545 6720

E-mail: sales@coburn.co.uk

www.coburn.co.uk